

6.3 Cleaning the Cell

⚠ WARNING

Disconnect power to the system at the main circuit breaker before performing this procedure to avoid risk of electric shock which can result in property damage, severe injury or death.

⚠ WARNING

- When cleaning the cell, wear protective eyeglasses and gloves.
- When mixing acid with water, **ALWAYS ADD ACID TO WATER. NEVER ADD WATER TO ACID.**

The power pack has an automatic cell cleaning feature (polarity reversing) that removes scale deposits from the cell (see Section 5.6).

Scale will form in excessively hard water or from pool water that is out of balance and in a scaling condition. Following the installation of the Jandy® AquaPure® Ei chlorine generating device, check the cell once a month for signs of scale.

If the cell has a tendency to scale, it is recommended that every month the cell be removed and inspected for scale formation and/or debris. Some filters allow debris to pass through to the cell which could lodge between the plates in the cell. A small amount of scale formation is normal. If by looking through the cell it is observed that there is excessive scale formation between the plates or debris is present, the cell must be cleaned as follows:

1. Ensure that all power to the power pack and the controller is disconnected/turned off at the circuit breaker.
2. Shut off any necessary valves to prevent any water loss.
3. Remove the terminal cap and cell leads.
4. Undo the locking ring. If required, use the locking ring tool provided (see Figure 25).
5. Remove the cell (see Figure 26).
6. Refit the cap on the cell and invert (see Figure 27).
7. With protective glasses and gloves on, add one (1) part acid to ten (10) parts water and mix.
8. Fill the cell to the top of the electrode plates with the acid solution. Leave solution in cell no longer than 30 min.
9. After the cell has been cleaned, you can dispose of the solution by pouring it into the pool water or dispose of according to local regulations.
10. Reattach the cell as described in Section 3.3, steps 13 and 14.

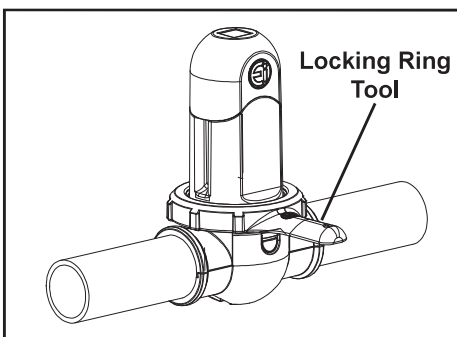


Figure 25. Undo Locking Ring

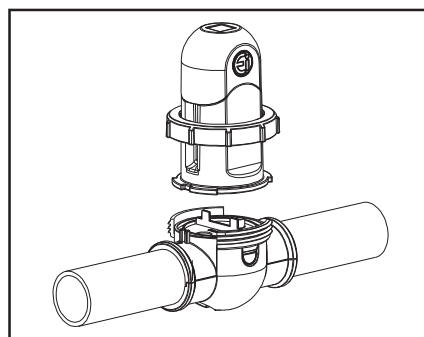


Figure 26. Remove the Cell

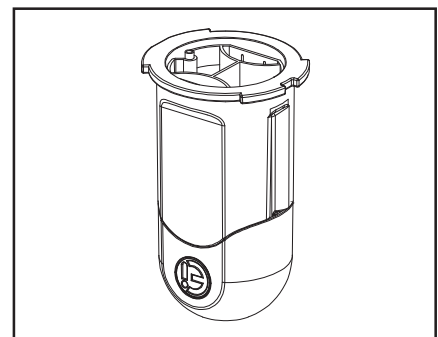


Figure 27. Invert the Cell